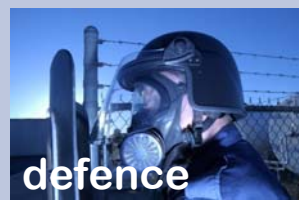




**WESTMINSTER**  
INTERNATIONAL LTD

Excellence through Service  
**Protecting your world**



## WG Portal Body Scanner

Designed for use at security checkpoints in airports, border crossings, prisons and other facilities; the WG Portal Body Scanner Whole Body Imager screens individuals using safe, active millimetre wave (MMW) radio frequency technology to detect concealed objects hidden under clothing.

### Effective Detection

The WG Portal Body Scanner quickly creates a 3-D hologram of the subject that indicates concealed objects. Checkpoint personnel can zero in on weapons, explosives, banned items or even intellectual property.

- ▶ Detects all types of materials: liquids, gels, plastics, metals, ceramics, etc.
- ▶ Detects all types of objects: weapons, standard and home-made explosives, contraband, drugs, money, papers, etc.
- ▶ Enables optimum detection while protecting an individual's privacy through silhouette images, targeted blurring, automatic image purging and a remote viewing station



### Safe Technology

Leveraging harmless radio waves, the WG Portal Body Scanner offers advanced imaging—without any health risks.

- ▶ The signals created by the WG Portal Body Scanner are 10,000 times less powerful than a cell phone and are comparable to those generated by an LCD TV.
- ▶ The WG Portal Body Scanner does not use X-rays or ionizing radiation.

### High Throughput

The WG Portal Body Scanner is built for high checkpoint throughput.

A quick scan provides checkpoint personnel with the data they need to confidently pass an individual through a checkpoint.

- ▶ Two-second scan time for a complete multi-directional view
- ▶ Scans 200–400 people per hour depending on application
- ▶ Reduces need for time-consuming and intrusive pat-down searches

### Major Deployments

More than 100 WG Portal Body Scanner Whole Body Imagers are currently deployed worldwide.

- ▶ Airports: Operational in various locations around the world for security and customs applications, with deployments at major U.S. airports

WI Code: 10525/0

Westminster International Ltd,  
Westminster House,  
Blacklocks Hill,  
Banbury,  
Oxfordshire OX17 2BS,  
United Kingdom.  
T: +44 (0)1295 756300  
F: +44 (0)1295 756302  
E: info@wi-ltd.com  
W: www.wi-ltd.com

The Association of  
Police and Public  
Security Suppliers



The Defence  
Manufacturers  
Association



© 2008 Westminster  
International Ltd.  
All rights reserved.

# WG Portal Body Scanner

- ▶ High-threat Facilities: Used in U.S. federal, state and foreign courthouses; embassies and other government buildings; and corporate offices
- ▶ Borders: Utilized in border crossings in the Middle East

Detect virtually any concealed threat effectively and safely with the ground-breaking WG Portal Body Scanner Whole Body Imager. Metal. Ceramic. Plastic. Liquid. There's no limit to the substances that can pose or mask security risks. Now there's no limit to the threats you can see and eliminate, thanks to cutting-edge millimetre-wave imaging technology from Westminster. More reliable and less intrusive than pat-down searches, faster than comparative body screening systems, and safer to use than a cell phone, Westminster's WG Portal Body Scanner Whole Body Imager (WBI) is a bold step forward in threat detection. Because the WG Portal Body Scanner allows operators to clearly view objects made of any material—including liquid, rubber, wire, plastic, ceramic and metal—weapons, contraband, and other objects are quickly and easily located. Ideal for use anywhere checkpoint security is needed, the system utilizes harmless radio waves to generate a clear view in seconds.

## Applications

- ▶ Threat detection
- ▶ Contraband detection
- ▶ Theft prevention
- ▶ IP loss prevention



## Pinpoint Accuracy: See What Can't Be Seen

Smugglers, terrorists, and other criminals constantly search for clever ways to conceal threat substances and contraband. The WG Portal Body Scanner's unmatched detection technology eliminates the ambiguity of pat-down searches and provides a clear picture of what's hidden—and where. The WG Portal Body Scanner penetrates clothing to zero in on the position of concealed objects on the body. In 10 seconds on average, operators can locate

hidden threats such as ceramic weapons, plastic explosives, drugs, and other contraband. The WG Portal Body Scanner can also prevent the theft of confidential information, cash, valuables, or intellectual property from secure locations.

## Advanced Imaging: Healthier Technology

The WG Portal Body Scanner's patented sensing mechanism uses active millimetre-waves, common radio-frequency signals that reflect off objects at extremely low power levels. These signals pass through all types of clothing but do not penetrate the body. The reflected waves are captured by the system's sensors and sophisticated computer processing is used to create a series of images from multiple views, resulting in a 3-D hologram of the subject, rather than a single, two-dimensional view. The WG Portal Body Scanner uses no ionizing radiation and is safer to use than a cell phone.

## Optimum Detection: Unparalleled Precision

The WG Portal Body Scanner's extraordinary detection capabilities are a formidable component of a total security solution for any application where checkpoint screening is a necessity.

WI Code: 10525/0

Westminster International Ltd,  
Westminster House,  
Blacklocks Hill,  
Banbury,  
Oxfordshire OX17 2BS,  
United Kingdom.  
T: +44 (0)1295 756300  
F: +44 (0)1295 756302  
E: info@wi-ltd.com  
W: www.wi-ltd.com

The Association of  
Police and Public  
Security Suppliers



The Defence  
Manufacturers  
Association



© 2008 Westminster  
International Ltd.  
All rights reserved.

# WG Portal Body Scanner

- ▶ **Airport Security:** In addition to weeding out commonly prohibited or unauthorized items, the WG Portal Body Scanner is an effective tool that helps prevent the smuggling of weapons, explosives, and other banned objects and substances.
- ▶ **Government Buildings:** The WG Portal Body Scanner helps secure embassies, consulates, and other high-risk facilities, and can help keep banned items such as cameras, recording devices, and cell phones out of restricted areas.
- ▶ **Customs and Borders:** From halting drug smugglers to identifying suicide bombers, the WG Portal Body Scanner is an invaluable tool for authorities at borders crossings and other interdiction sites.
- ▶ **Prisons:** When used to screen inmates, detainees, visitors, vendors, or staff, the WG Portal Body Scanner can help stop the flow of weapons, drugs, and other contraband.
- ▶ **Military Bases:** The WG Portal Body Scanner virtually eliminates unnecessary pat-down searches, speeds up checkpoints, and maintains the safety of security personnel.

## Field-Tested Performance: Unsurpassed Throughput

When it comes to throughput, there's no match for the rugged, reliable WG Portal Body Scanner. In about 10 seconds on average, operators can complete a thorough body scan. With potential peak throughput levels of over 400 people an hour, the WG Portal Body Scanner far outpaces alternative screening methods. Other imaging technologies take only a single frame scan from one direction at a time, requiring multiple scans for the same coverage. The time required to position an individual to be scanned and to scrutinise the resulting images can dramatically lower throughput rates.

The WG Portal Body Scanner eliminates the need for unnecessary and time-consuming physical searches that can limit throughput levels. In addition to being more invasive and stressful for the individuals being screened, these pat-down and strip searches place a high degree of physical stress on security personnel. With the WG Portal Body Scanner, there's no need for the repetitive bending and stretching required for that kind of hands-on physical inspections.

## Operational Flexibility: Go Configure

The WG Portal Body Scanner system can easily be configured to meet specific throughput and facility requirements, from single scanner and single computer combinations to multilane configurations. Depending on space requirements, operator controls can be set up remotely or directly adjacent to the portal. The WG Portal Body Scanner operator console provides screeners with a powerful, intuitive, and easy-to-use operating interface. In addition to weapons and other contraband, the WG Portal Body Scanner's unmatched single-scan detection capability spots even the slimmest objects—such as CDs, paper currency, and other razor-thin items. The WG Portal Body Scanner detects objects hidden anywhere on the body in seconds, and accommodates the throughput needs of high-traffic, high-volume sites.

## Physical Specifications

- ▶ Colour metal structure: Flint Gray
- ▶ Inner walls: Clear Lexan 9600™ 3 mm
- ▶ Outer walls: Clear Lexan 9600™ 3 mm

## Safety

- ▶ Interior lighting
- ▶ No ionizing radiation used

WI Code: 10525/0

Westminster International Ltd,  
Westminster House,  
Blacklocks Hill,  
Banbury,  
Oxfordshire OX17 2BS,  
United Kingdom.  
T: +44 (0)1295 756300  
F: +44 (0)1295 756302  
E: info@wi-ltd.com  
W: www.wi-ltd.com

The Association of  
Police and Public  
Security Suppliers



The Defence  
Manufacturers  
Association



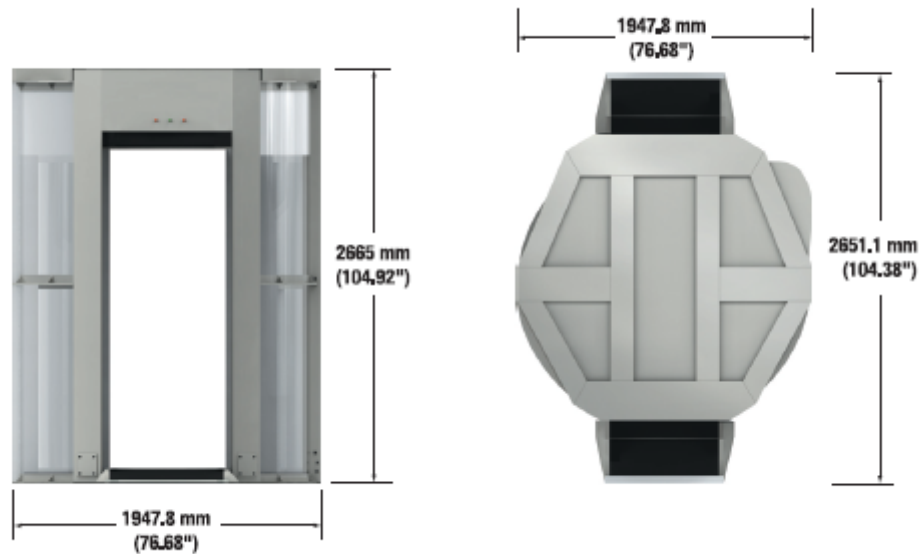
# WG Portal Body Scanner

## Operator Console

- ▶ Standard Windows®-based PC

## Scanner

- ▶ Height: 2665.0 mm (104.9")
- ▶ Width: 1947.8 mm (76.7")
- ▶ Depth: 2651.1 mm (104.4")
- ▶ Weight: 816 kg (1800 lbs)
- ▶ Power: 100 VAC - 240 VAC / 1900 Watts Peak
- ▶ 50 Hz - 60 Hz
- ▶ Temperature: 0° C to 35° C (32° F to 104° F)
- ▶ Humidity: 5 – 95% non-condensing



WI Code: 10525/0

Westminster International Ltd,  
Westminster House,  
Blacklocks Hill,  
Banbury,  
Oxfordshire OX17 2BS,  
United Kingdom.  
T: +44 (0)1295 756300  
F: +44 (0)1295 756302  
E: info@wi-ltd.com  
W: www.wi-ltd.com

The Association of  
Police and Public  
Security Suppliers



The Defence  
Manufacturers  
Association



© 2008 Westminster  
International Ltd.  
All rights reserved.